

AS-603A

6 Antennas x 3 Radios Automatic Antenna Switch

Operation from 30 KHz to 54 MHz

Operation Manual



V. 1.9.0



AS-603A

Operation Manual

Automatic Antenna Switch 6x3

The AS-603A is an automatic antenna switch for three radios and six antennas. It has internally two independent switches. One to select the radios and another to select the antennas. The operation is individual, which means that only the selected radio will have access to the antennas. Unused antennas are automatically grounded.

To facilitate the operation, the AS-603A also has a third internal switch that switches the Send commands and the Com port to the selected Radio.

The AS-603A supports communication with the following radios: Icom (CI-V), Kenwood (RS-232), Elecraft K3 (RS-232), Yaesu (RS-232), Flex or any other Radio that uses one of these communication protocols.

Procedure for connecting the AS-603A to the radio:

- 1- On the **AS-603A** press and hold the yellow radio select Push button and turn on the **AS-603A**.
- 2- Then press the Antenna Push Button corresponds to the model of the radio that you will connect, according to the list below;
 - a- **Ant 1** Push Button for **Icom** (CI-V) radios **Baud rate 19200**
 - b- **Ant 2** Push Button for **Yaesu** type FT-817, FT-857 and others. **Baud rate 4800**
 - c- **Ant 3** Push Button for **Yaesu** type FT-1000 MP radios and others. **Baud rate 4800**
 - d- **Ant 4** Push Button for **Yaesu** type FT-5000 radios and others. **Baud rate 4800**
 - e- **Ant 5** Push Button for **Kenwood, Elecraft, Flex Radio**, and others. **Baud rate 4800**After the choice, the **Split LED** stops blinking, this indicates the end of this procedure.

Procedure to activate Split mode:

To activate Split mode, the **AS-603A** must be connected to the radio with the appropriate cable and the **TX Delay of the radio must be set to 20 ms or more**.

- 1- Press the PTT on the radio and watch the AS-603A's Send LED light up.
- 2- Then, with the PTT still pressed, press and release the button of the antenna that you want to receive. At this moment Split LED indicator lights up.
- 3- When PTT is released, the AS-603A will switch to the chosen receiving antenna. Each time you press the PTT, it returns to the transmitting antenna.

Any change of antenna or band on the radio deactivates Split mode.

Testing and using the automatic antenna selection feature of the AS-603A with a connected and selected radio:

NOTE: No computer programming, PC connection or internal changes are required. A connected radio means that it is interfaced to the AS-603A with a cable, such as Hamplus ERC-6, IRC-6, KRC-6, YRC-6, FRC-6, or YRC-61, and the radio set to the correct baud rate (19,200 baud CI-V or 4800 baud CAT and COM) and set up as described in the previous section.

If the AS-603A is not interfaced as described, then it may be operated as a Manual Antenna Switch.

When connected, the AS-603A is an Automatic Band Memory Antenna Switch that may be operated manually. "Programming" automatic antenna selections are made as each different band is selected on the connected and selected radio. The initial manual selection of a specific antenna for that band is made by depressing the desired Ant button, which is then automatically memorized. There is no "SAVE" button nor is there a multi-button programming sequence. Just set the antenna by the band on the radio.

Restated, simply assign or reassign any AS-603A Ant button number to any band by initial or subsequent manual selection. For every and any band chosen and displayed on the connected and selected radio, every time a different antenna button is manually depressed, that selection is memorized.

Here is an example of antenna memorization by band setting on the transceiver connected to and selected as Radio 1 on the AS-603A:

1. Select 40 meters on Radio 1 and press Ant 2 on the AS-603A (as if your 40 meters antenna is connected to the Ant 2 port on the AS-603A)
2. Select 80 meters on Radio 1 and press Ant 1 on the AS-603A (as if your 80 meters antenna is connected to the Ant 1 port on the AS-603A)
3. Select 20 meters on Radio 1 and press Ant 3 on the AS-603A (as if your 20 meters antenna is connected to the Ant 3 port on the AS-603A) ... and so on.

Now, test the automation by changing back to the 40 meters band on your radio. The AS-603A should now automatically switch to Ant 2.

Then, select 80 meters on your radio and the AS-603A automatically switches to Ant 1, and so on.

If automatic antenna selection by band or frequency does not occur, then reattempt the **Procedure for connecting the AS-603A to the radio** in the section above.

Supporting the use of a multi-band antenna, the AS-603A provides the ability to assign any single antenna port to any number of bands on the connected radio, also by initial manual selection.

For example: A 20/15/10 meters tri-band beam coaxial cable is connected to Ant 3 port on the AS-603A.

4. Select 20 meters on the connected radio and press Ant 3 on the AS-603A (because your tri-band antenna is connected to Ant 3 port on the AS-603A)
5. Select 15 meters on the connected radio and press Ant 3 on the AS-603A (because your tri-band antenna is connected to Ant 3 port on the AS-603A)

6. Select 10 meters on the connected radio and press Ant 3 on the AS-603A (because your tri-band antenna is connected to Ant 3 port on the AS-603A)

Now, test the tri-bander automation by selecting any of those bands, 20, 15 and 10 meters, on your radio. The AS-603A will now automatically stay on Ant 3, or go back to Ant 3 after selecting a band with a different band memorized.

7. Select 80 meters on your radio and the AS-603A automatically switches to Ant 1,
8. Then, select 20 meters on your radio and the AS-603A automatically switches back to Ant 3... and so on.

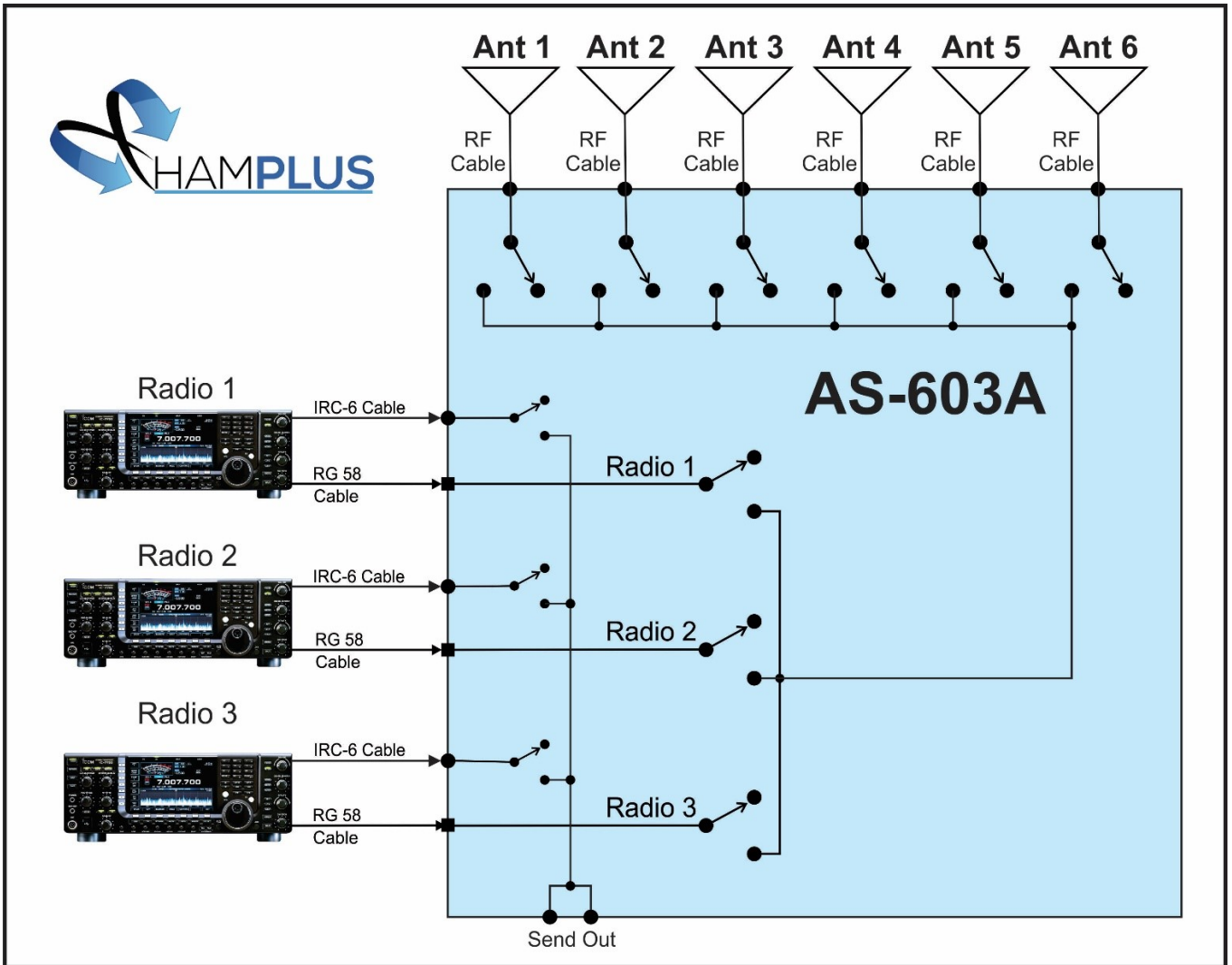
IMPORTANT FEATURE: PC interface to this antenna switch controller is not necessary. Interfaced transceivers that are also controlled locally or remotely by USB or LAN will continue to benefit from this Automatic Band Memory Antenna Switch. This smart controller method of automatic antenna selection is simply made by band or frequency selection with the radio control program.

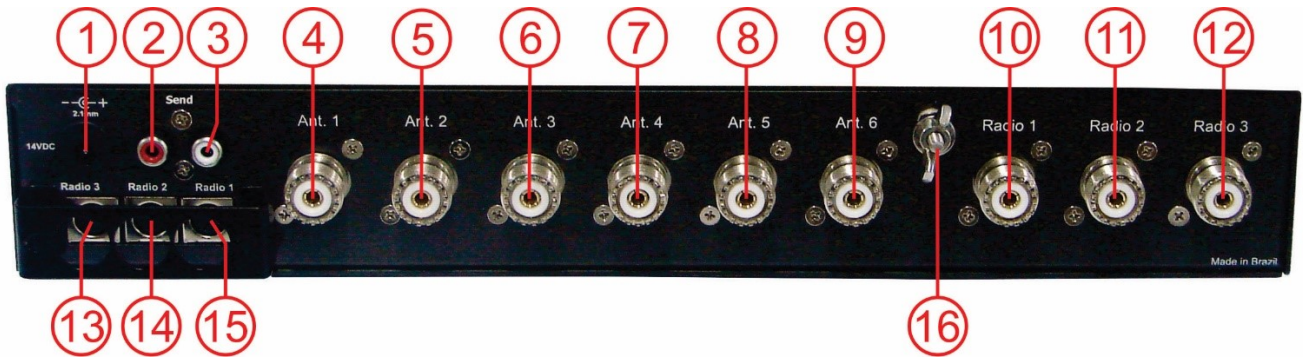
REMINDER: Reassignment of any band or frequency to a different antenna port is simply made by manual reselection of the new antenna port number whenever the connected radio is set on that specific band or frequency. The manual change is automatically updated by the AS-603A for only the selected radio. Simply stated, reassign any Ant # to any band by manual reselection of the new Ant # whenever the radio is set to that band.

For example, let's say that you now want to move your 40 meters antenna to the Ant 5 port on the AS-603A. Simply select 40 meters on the connected radio and press Ant 5 on the AS-603A, and it memorizes this change. Each time you change this radio to a 40 meters frequency, Ant 5 will now be automatically selected.

NOTE: On any given radio band, any manual antenna selection that is made, even if it happens to be incorrect, will be memorized. So, check and recheck each of your band memorized antenna selections by changing to each of the bands on your connected and selected radio and watching the AS-603A automatically change to the correct antenna. Correct any wrong Ant # on any band by manual selection.

-----X-----





- | | |
|--------------------------------------|------------------------------|
| 1- Auxiliar Power Supply In 13.8 VDC | 9- RF to Antenna 6 |
| 2- Switched Relay Send Out | 10- RF from Radio 1 |
| 3- Switched Relay Send Out | 11- RF from Radio 2 |
| 4- RF to Antenna 1 | 12- RF from Radio 3 |
| 5- RF to Antenna 2 | 13- Control Cable to Radio 3 |
| 6- RF to Antenna 3 | 14- Control Cable to Radio 2 |
| 7- RF to Antenna 4 | 15- Control Cable to Radio 1 |
| 8- RF to Antenna 5 | 16- GND |

Labels - print on transparent paper with laser printer

160 m	80 m	40 m	20 m	18 m	17 m	15 m	12 m	10 m	6 m	2 m	70 cm	80 m 40 m	20 m 15 m 10 m	MULTI BAND	LOG
IC 756	IC 7300	IC 7600	IC 7610	IC 7700	IC 897D	IC 1000	KEN WOOD	KEN WOOD 1	KEN WOOD 2	KEN WOOD 3	WARC	ICOM	ICOM 1	ICOM 2	ICOM 3
K3	K3 1	K3 2	K3 3	FLEX	FLEX 1	FLEX 2	FLEX 3	YAESU	YAESU 1	YAESU 2	YAESU 3				

Procedure to place labels on the keys

Push Button Labels

HAMPLUS

Size:	Number:	Rev:
A4	Push Button Labels	1.0
Date:	By:	Page:
25 / 04 / 2019	Valmor	1 / 1
Filename: Labels		

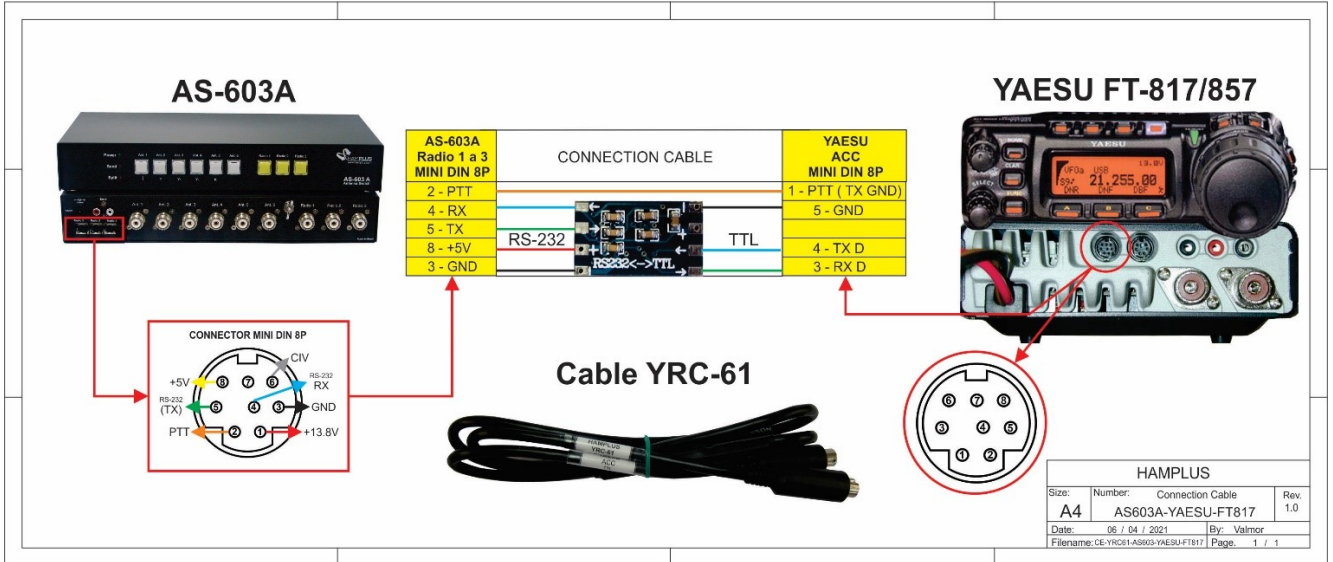
AS-603A - IDENTIFICATION PIN

AS-603A

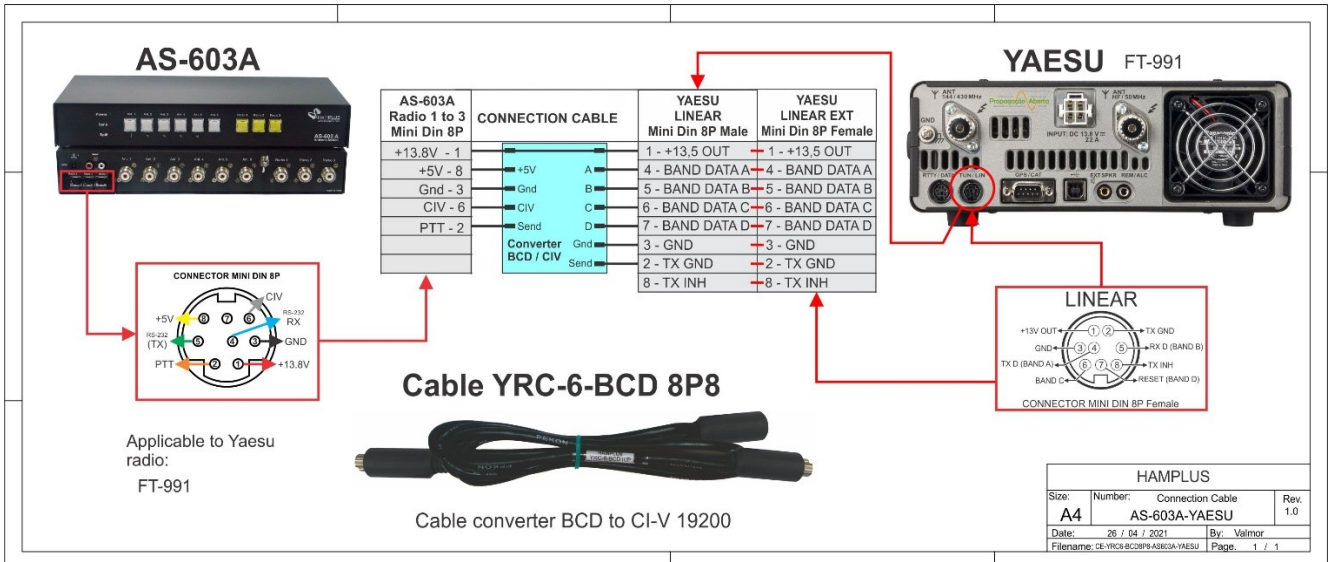
HAMPLUS

Size:	Number:	Identification Pin	Rev:
A4	AS-603A		1.0
Date:	By:	Page:	
06 / 04 / 2021	Valmor	1 / 1	
Filename: PLAS603A			

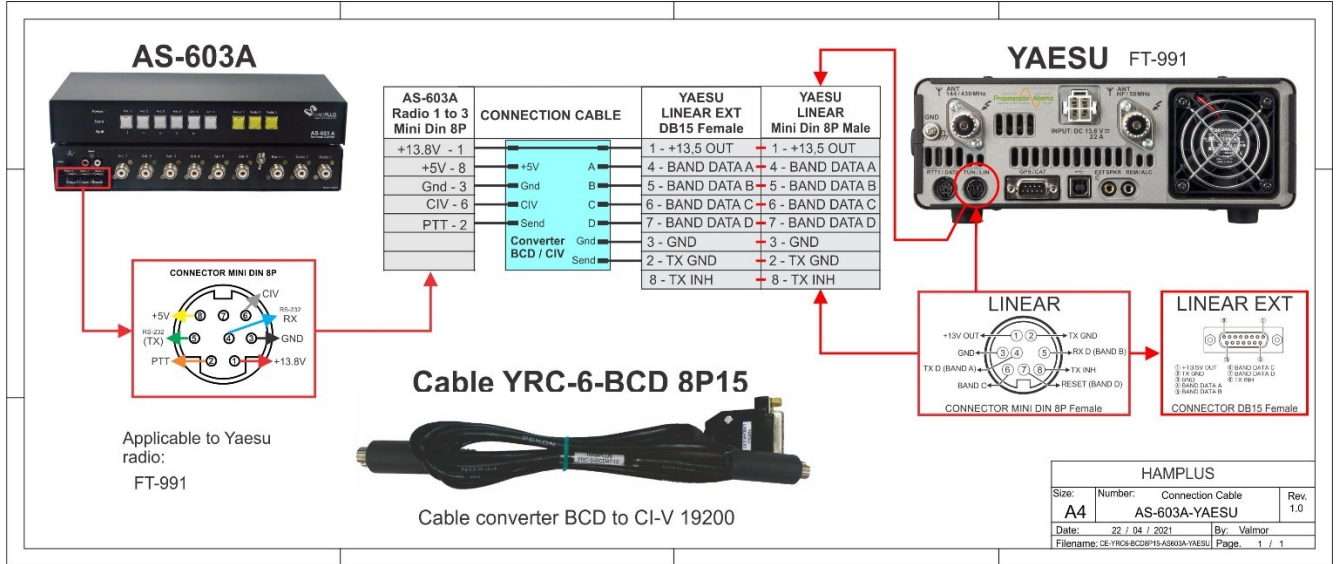
AS-603A / YAESU-FT817 Connection Cable



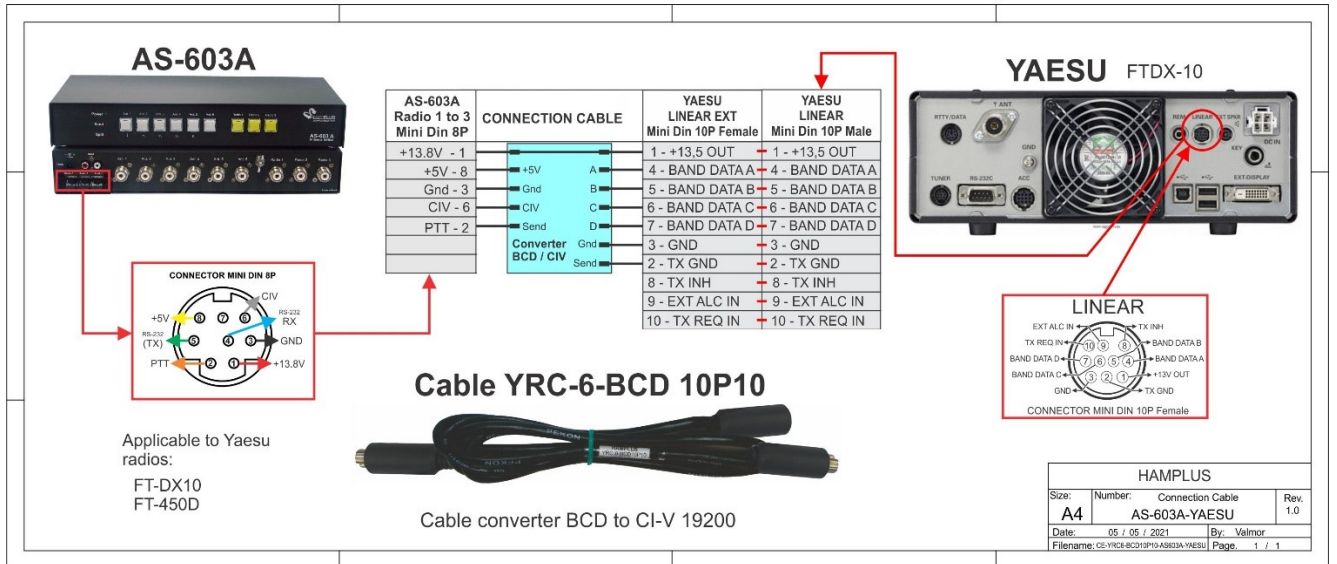
AS-603A / YAESU Connection Cable



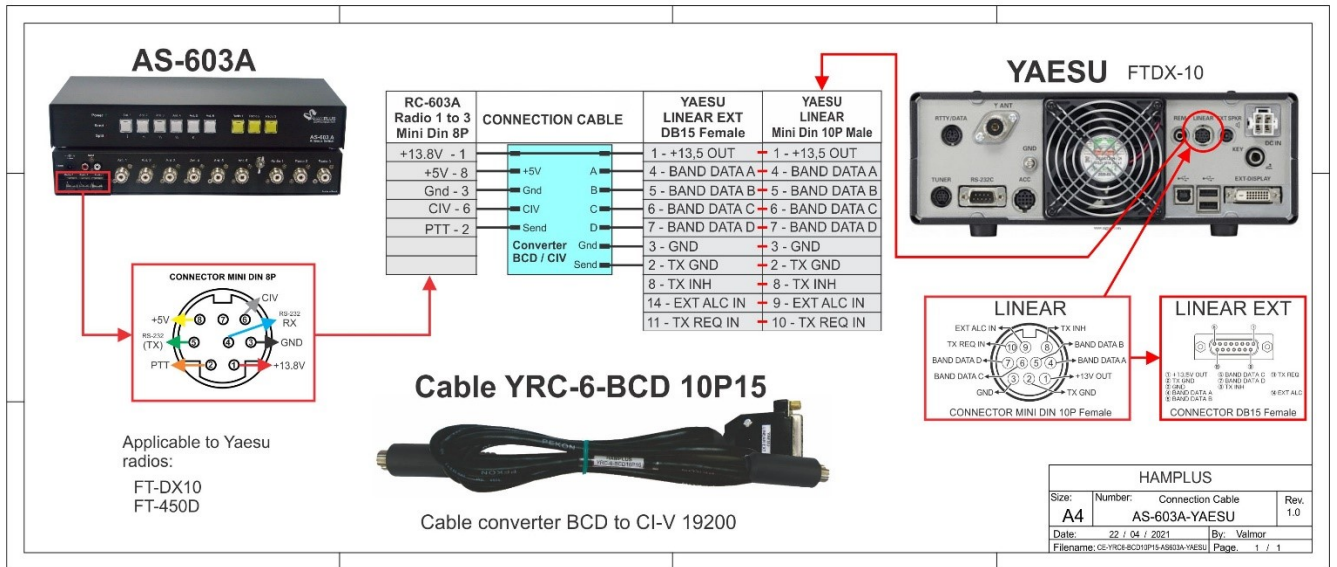
AS-603A / YAESU Connection Cable



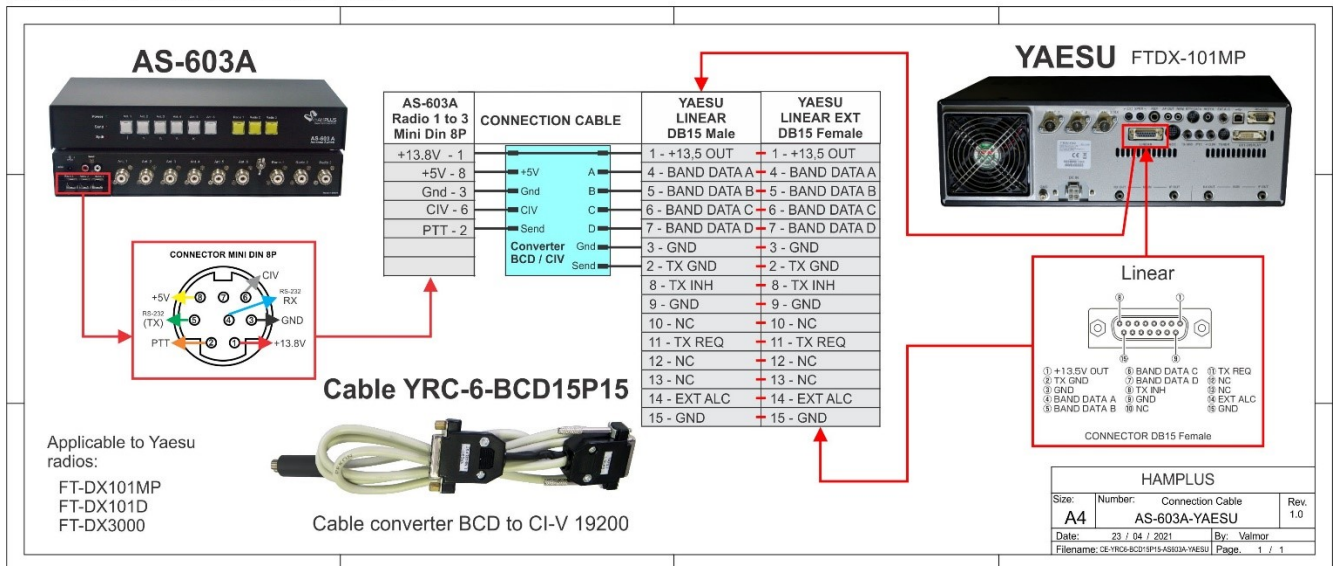
AS-603A / YAESU Connection Cable



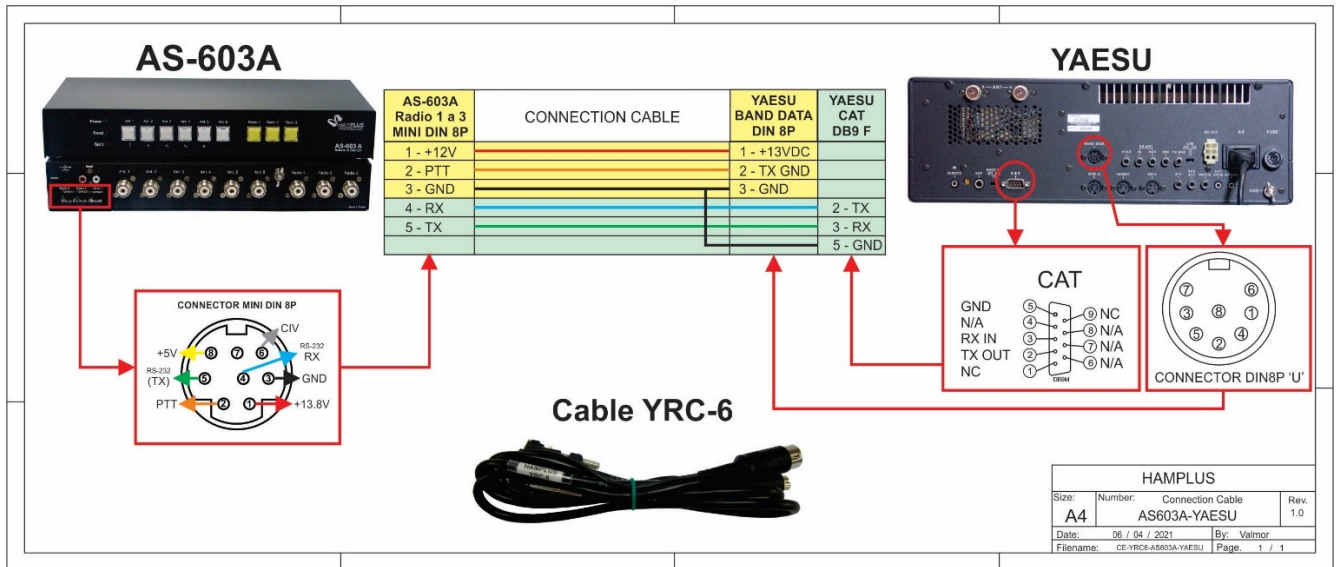
AS-603A / YAESU Connection Cable



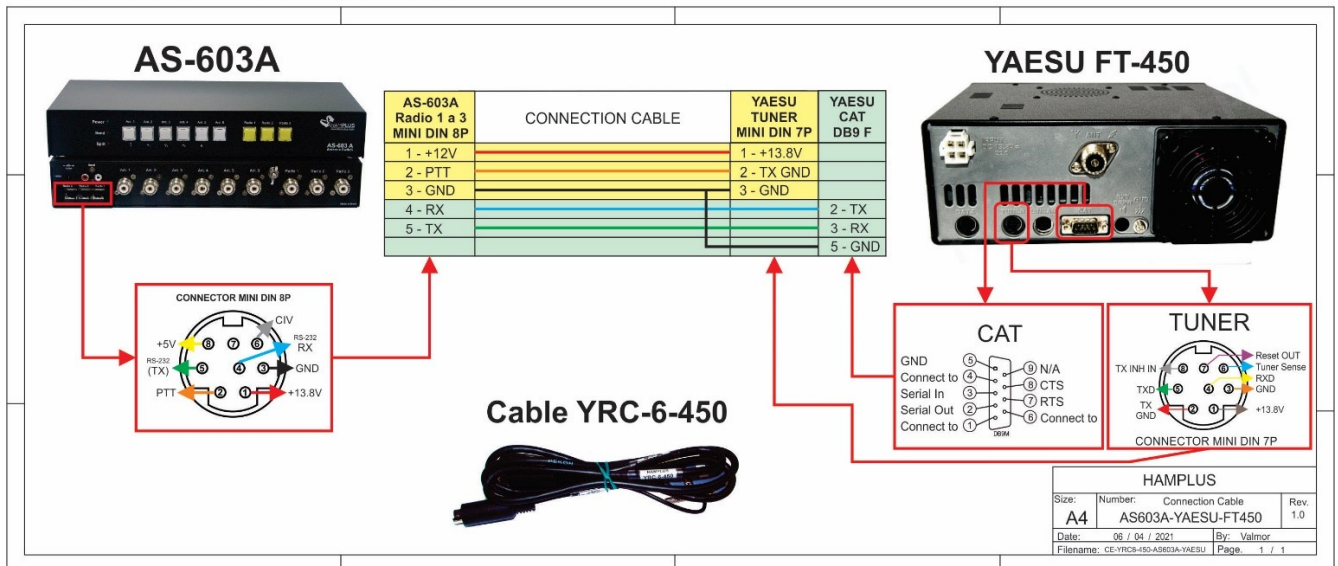
AS-603A / YAESU Connection Cable



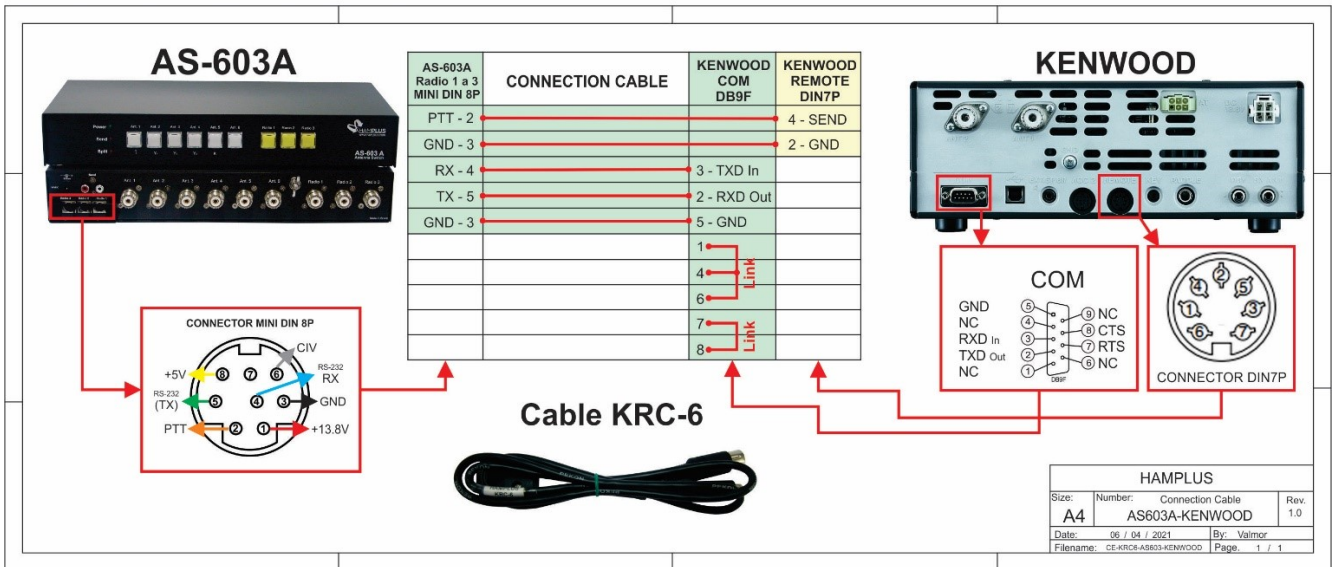
AS-603A / YAESU Connection Cable



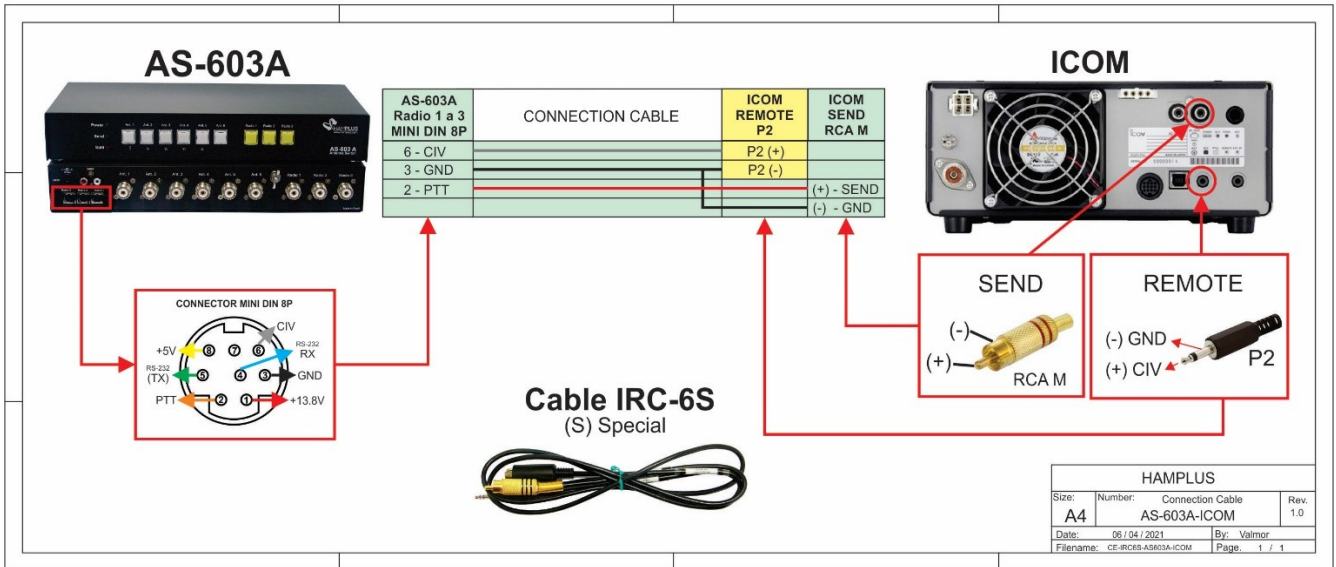
AS-603A / YAESU-FT450 Connection Cable



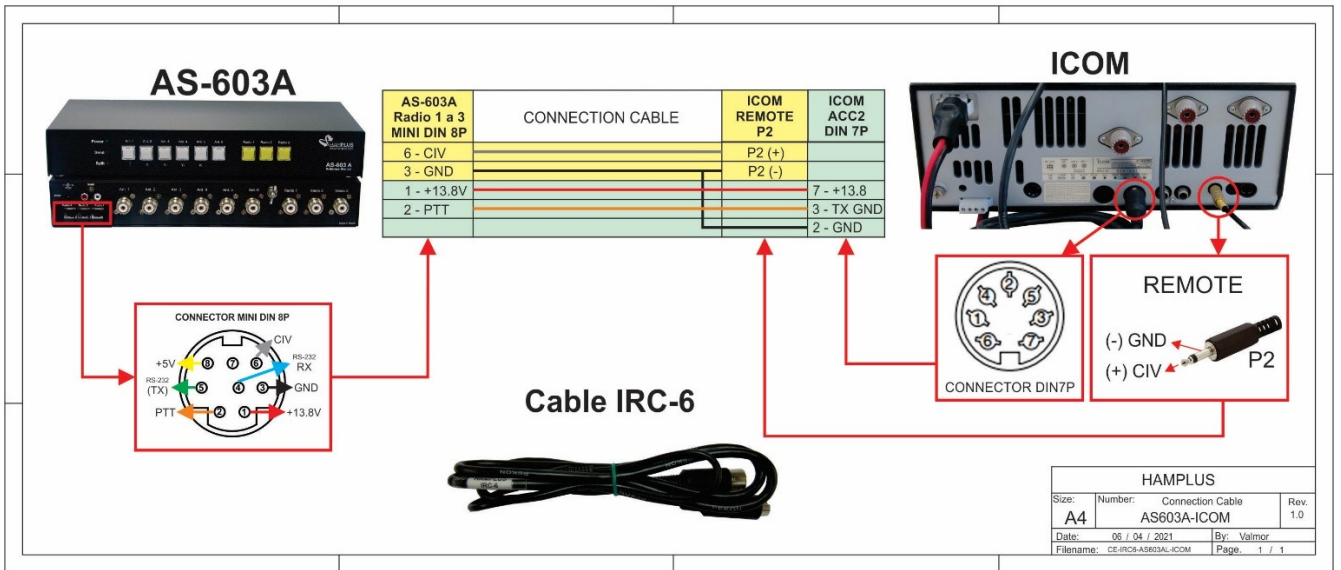
AS-603A / KENWOOD Connection Cable



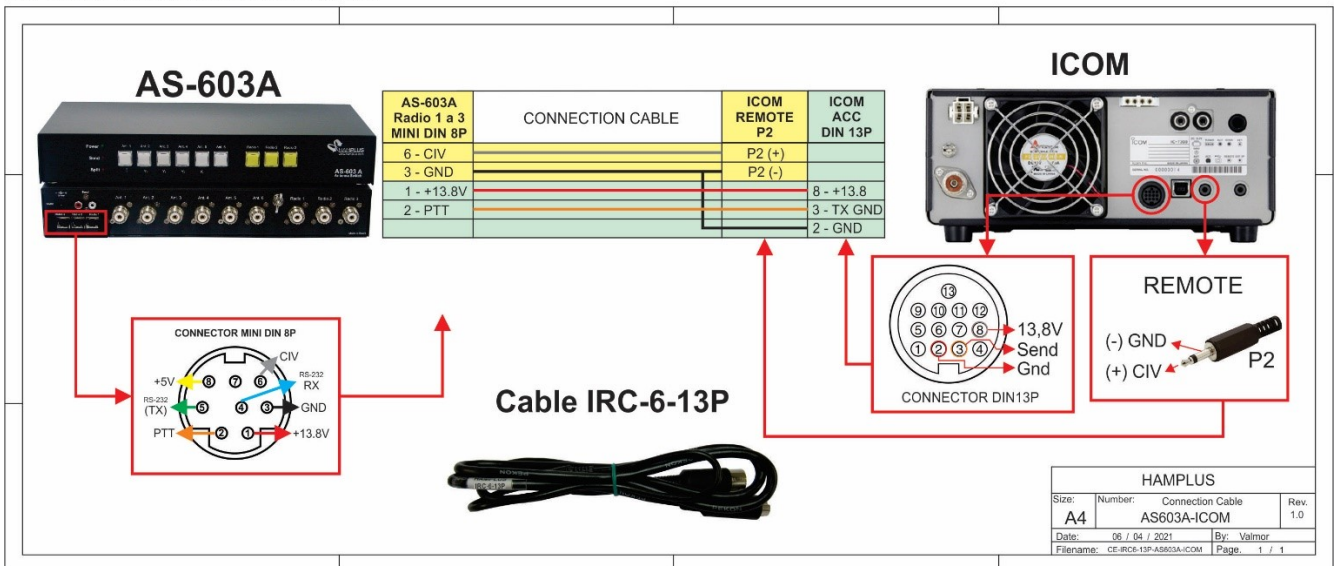
AS-603A / ICOM Connection Cable



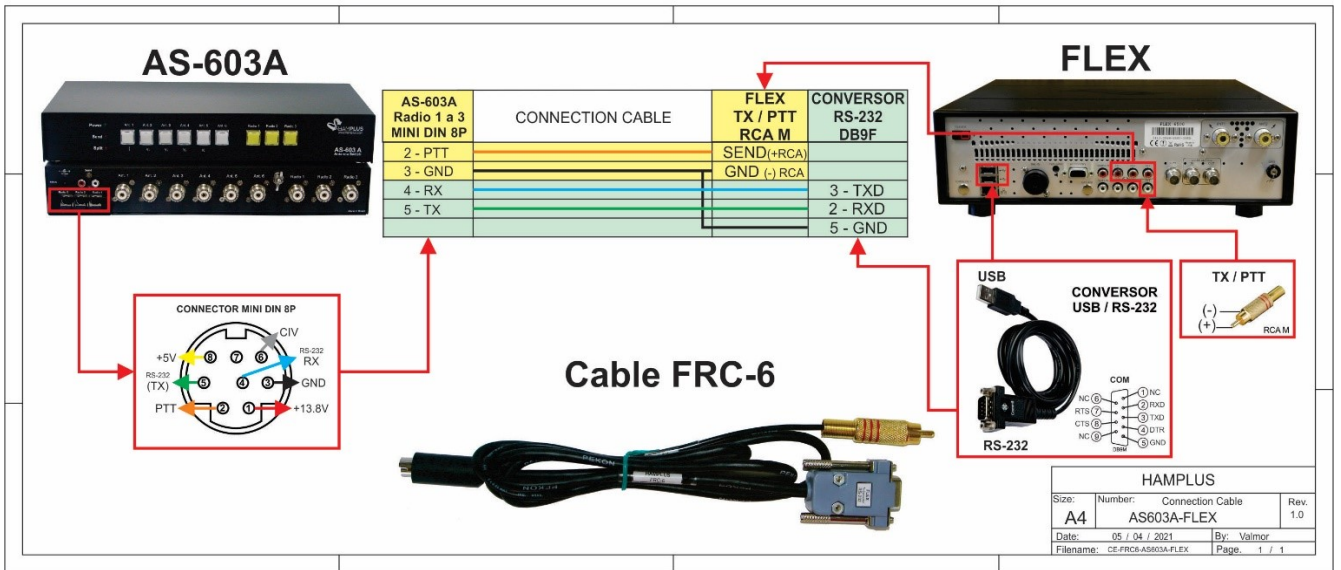
AS-603A / ICOM Connection Cable



AS-603A / ICOM Connection Cable



AS-603A / FLEX Connection Cable



AS-603A / ELEKRAFT K3 Connection Cable

